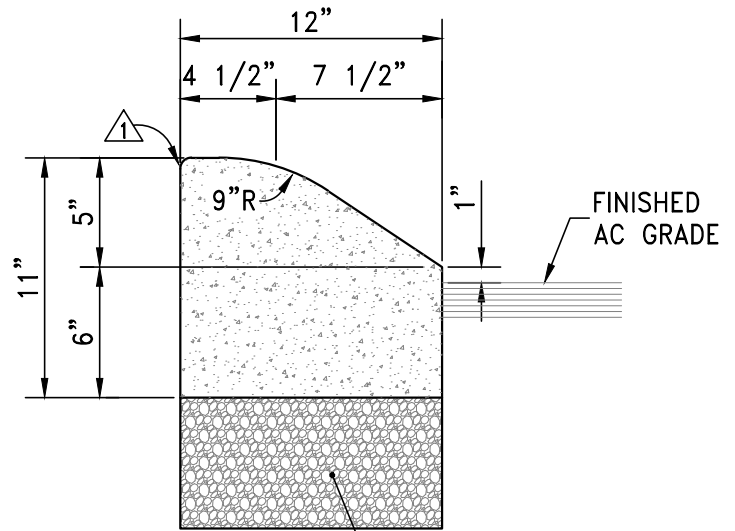
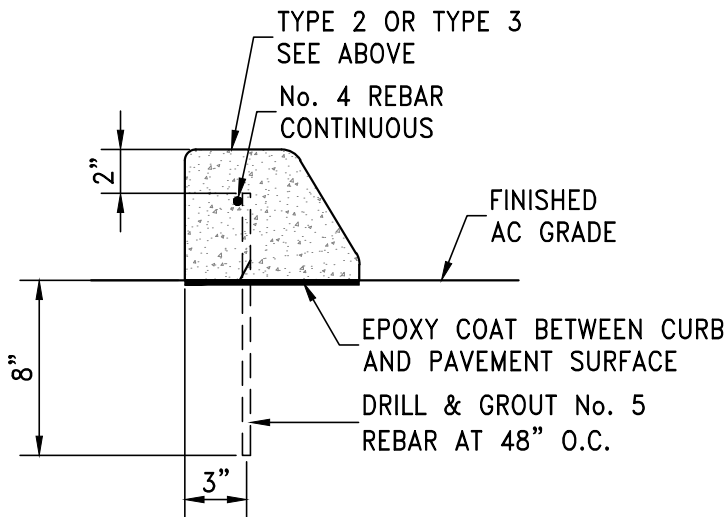


TYPE 2 P.C.C. MEDIAN CURB



TYPE 3 P.C.C. MEDIAN CURB



P.C.C. MEDIAN CURB (ALTERNATE)

NOTES:

△ RADIUS TO BE 1/2 INCH, OMIT ROUNDING IF CURBS ARE BACK TO BACK.

2. PORTLAND CEMENT CONCRETE (P.C.C.) SHALL BE 4000 PSI MIN. COMPRESSIVE STRENGTH AT 28 DAYS. ALL CEMENT CONCRETE SHALL HAVE A COARSE AGGREGATE GRADATION CONFORMING TO SIZE No. 67. POLYPROPYLENE OR CELLULOSE FIBERS SHALL BE ADDED TO THE P.C.C. AT 1.5 LBS PER CUBIC YARD. MIX DESIGN SHALL CONFORM TO THE REQUIREMENTS OF SECTION 337.10 OF SSPWC. ALL MATERIALS SHALL CONFORM TO SSPWC.
3. AGGREGATE BASE MATERIAL UNDER MEDIAN CURBS SHALL BE TYPE 2, CLASS B CRUSHED AGGREGATE BASE. MATERIALS SHALL CONFORM TO SSPWC SECTION 200.



STANDARD DETAILS FOR PUBLIC WORKS CONSTRUCTION

DRAWING No.

P.C.C. MEDIAN CURBS

R-110

APPROVED BY: KK

DATE: 1/2023